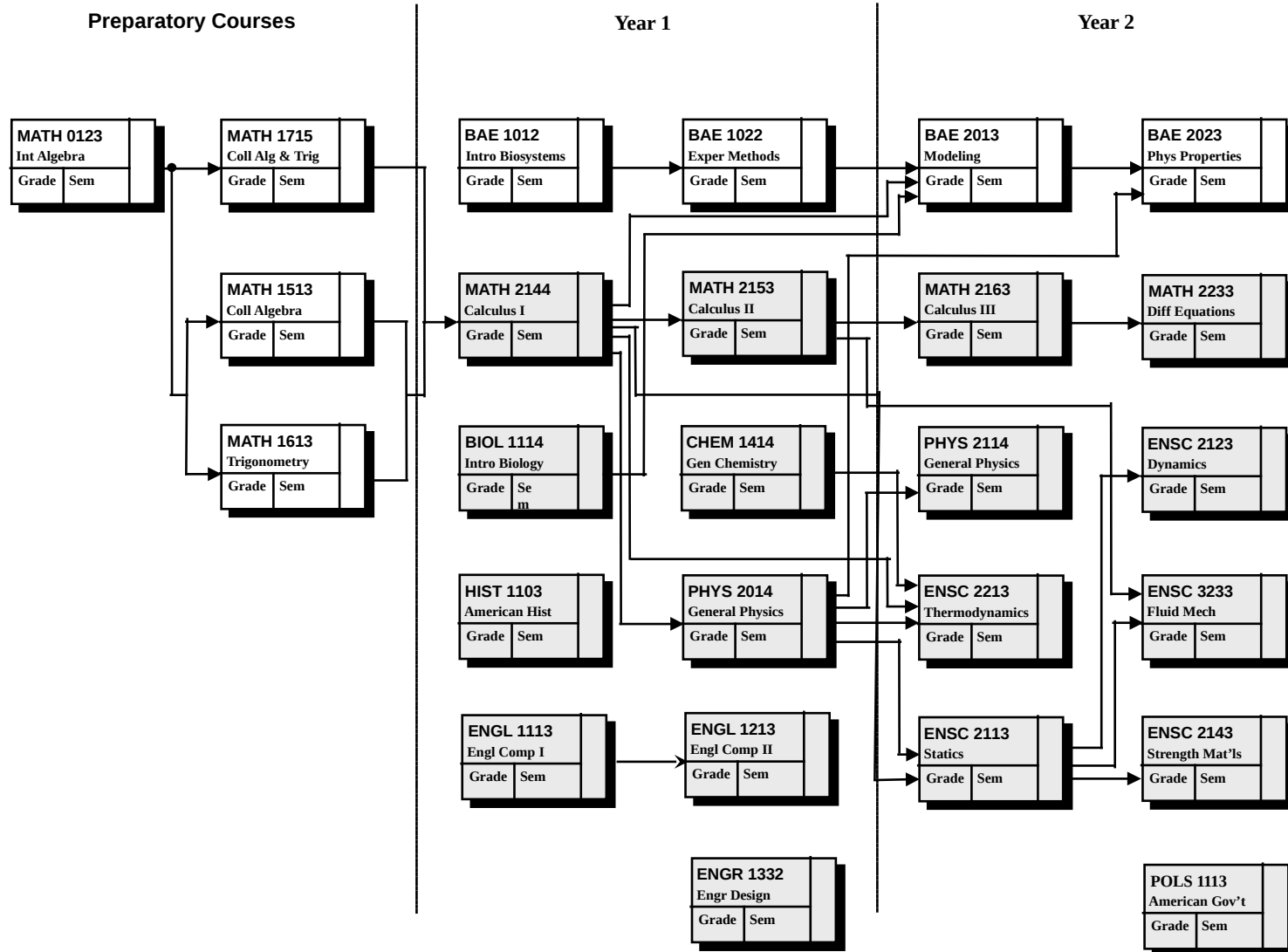


Name: _____

Advisor: _____



Admission Requirements for the Biosystems Engineering Professional School.

Admission to Professional School is required to take the upper level BAE courses. Please refer to the OSU Catalog corresponding to your matriculation date for detailed admission requirements. The following is an overview of the minimum curricular requirements necessary to be considered for admission to the BAE Professional School:

- Completion of at least 60 college level semester credit hours (SCH).
- Completion of at least 12 SCH from OSU.
- Completion of MATH 2144, 2153, and 2163; PHYS 2014 and 2114; CHEM 1414; BIOL 1114; ENSC 2113, ENSC 3233, plus two additional ENSC courses; ENGL 1113; BAE 2013 and 2023.
- An overall GPA of 2.5 or better at OSU.
- A grade of "C" or better and a GPA of 2.5 or better is required in all math, science, and engineering courses used to satisfy a requirement in the BAE degree plan prior to admission to professional school.

NOTE: This flow chart is for planning purposes only. Students matriculating in AY2014 must meet the degree requirements as stated on the official degree requirement sheet dated "Academic Year 2014-2015."

1. At least 6 hours designated "H" and 6 hours designated "S". Of these, 3 hours need to meet the International Dimension "I" and 3 hours need to meet the Diversity Component "D".

Horizontal arrows indicate prerequisites.

Shaded Areas Indicate Common Engineering Curriculum Requirements.

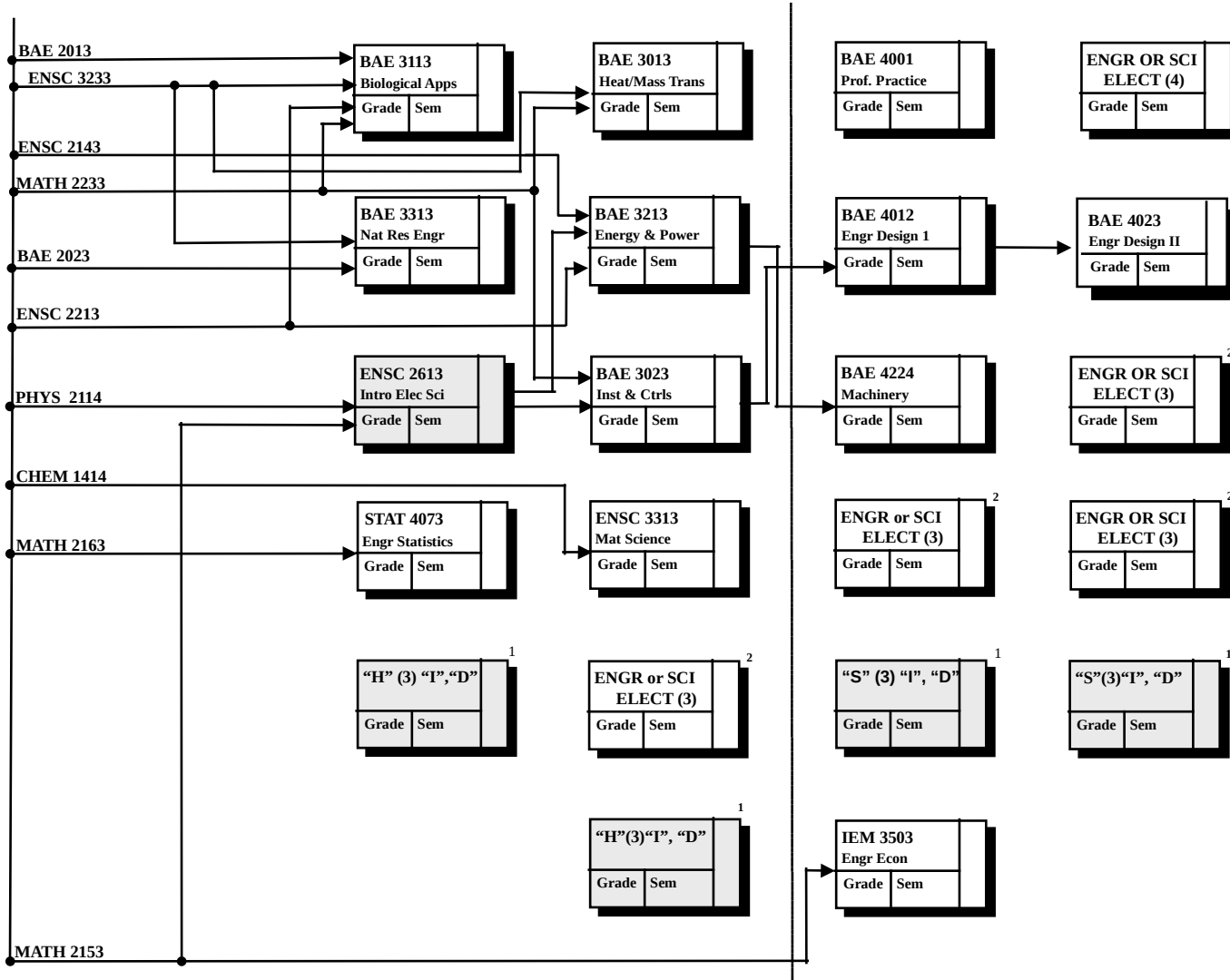
Name: _____

Advisor: _____

Prerequisites

Year 3

Year 4



MASTER'S PROGRAMS

Criteria for admission to the Graduate College to pursue the Master of Science include:

1. receive a B.S. degree from an accredited institution.
2. academic performance in undergraduate work at a level that indicates a high probability of success in a graduate program requiring a 3.0/4.0 minimum grade point average.
3. recommended for admission to the Graduate College by a Professional School in the College of Engineering.

For further information, contact the School or the Office of the Dean of Engineering.

A flexible study plan is designed to meet each student's individual goals.

2. 16 hours of courses to be selected from an approved list upon consultation with the advisor, with at least 6 hours from engineering electives and at least 3 hours from biological science electives. Up to 3 credit hours from an engineering study abroad course is allowed.
Note: a minimum of 3 elective hours must be upper division.

* A "C" or better is required in each course that is a prerequisite for a major course.